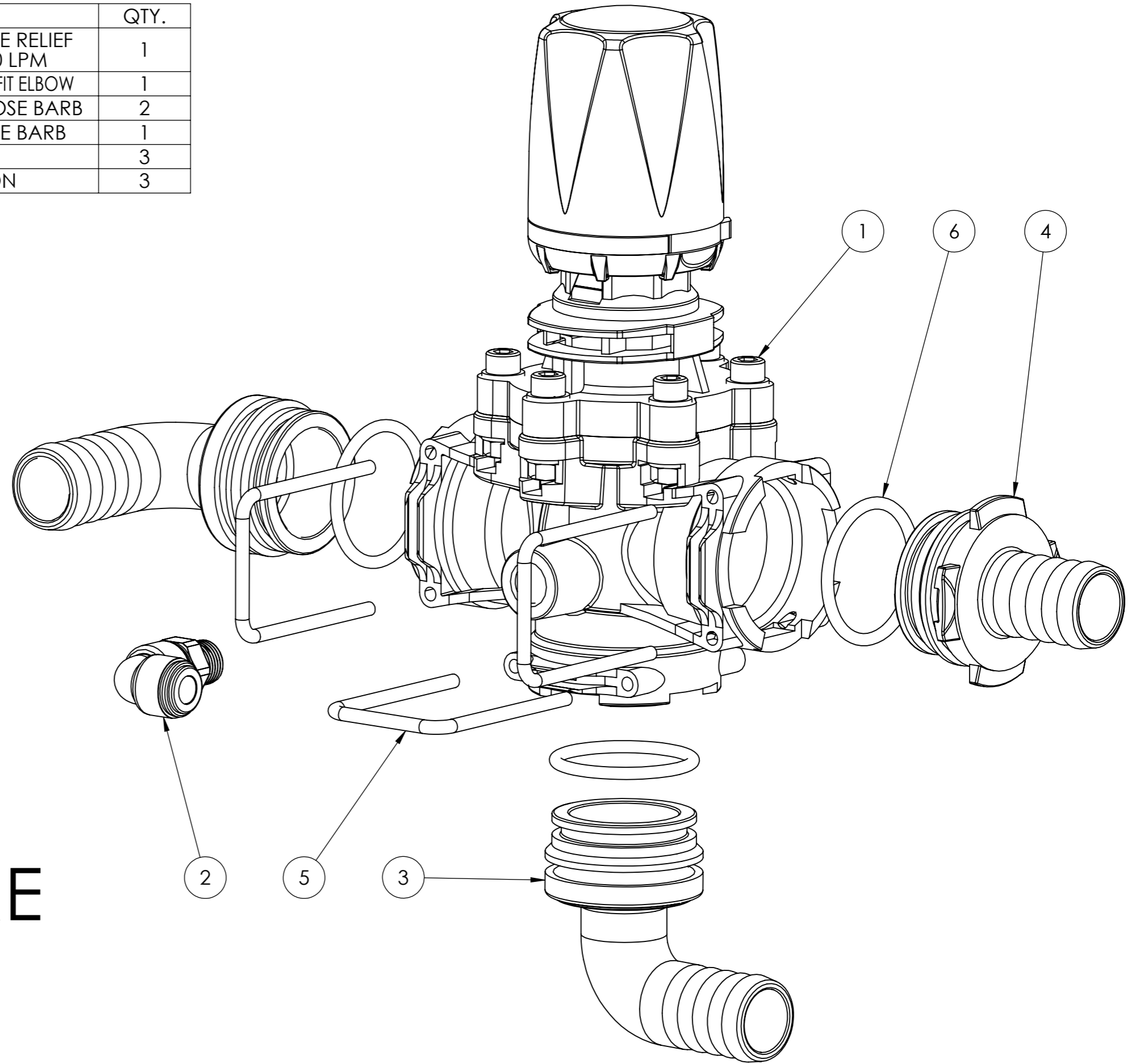


ITEM NO.	PART NUMBER	DESCRIPTION	QTY.
1	475551	T5 MANUAL PRESSURE RELIEF VALVE 10 BAR 200 LPM	1
2	PM090801E	8MM - G1/4 MALE PUSH-FIT ELBOW	1
3	1191525	T5M ELBOW 25MM HOSE BARB	2
4	1091525	T5 MALE 25MM HOSE BARB	1
5	010005	T5 FORK	3
6	BS221V75BR	T5 ORING VITON	3



# FIM-A PRESSURE RELIEF VALVE SUBASSEMBLY